



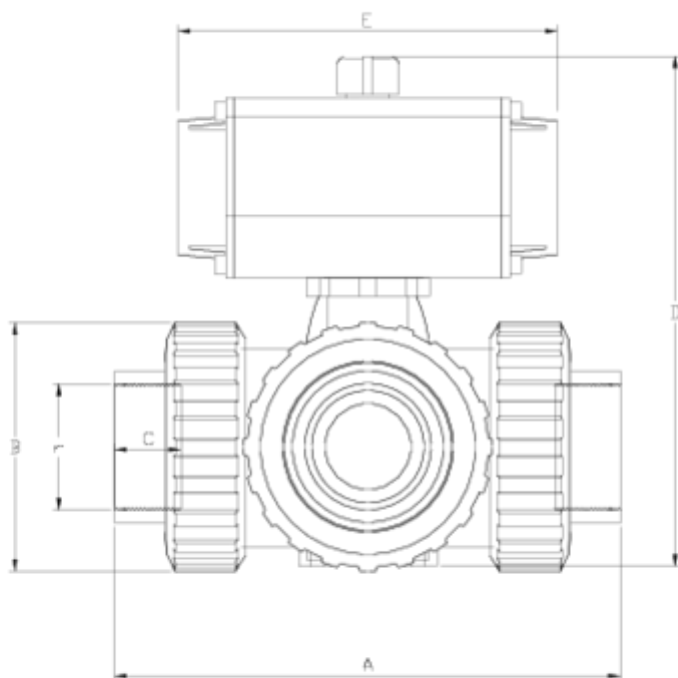
## 3-Way ball valve

# THREADED FEMALE OUTLET - SINGLE ACTING PNEUMATIC ACTUATOR - FPM ITEM 870



| REFERENCE | DESCRIPTION                         | Net weight | Volumen (m <sup>3</sup> ) | Gross weight | Unidades lote |
|-----------|-------------------------------------|------------|---------------------------|--------------|---------------|
| 111V593   | V.E.3V L R/H 1" ACT.NEUM SE FPM     | 0          | 0,00891                   | 0            | 1             |
| 111V595   | V.E.3V L R/H 1 1/2" ACT.NEUM SE FPM | 3,4964     | 0,04460                   | 4,1622       | 1             |
| 111V596   | V.E.3V L R/H 2" ACT.NEUM SE FPM     | 5,439      | 0,04460                   | 6,1048       | 1             |
| 111V597   | V.E.3V L R/H 2 1/2" ACT.NEUM SE FPM | 10,7559    | 0,04836                   | 11,5994      | 1             |
| 111V633   | V.E.3V T R/H 1" ACT.NEUM SE FPM     | 0          | 0,00891                   | 0            | 1             |
| 111V635   | V.E.3V T R/H 1 1/2" ACT.NEUM SE FPM | 3,4964     | 0,04460                   | 4,1622       | 1             |
| 111V636   | V.E.3V T R/H 2" ACT.NEUM SE FPM     | 5,439      | 0,04460                   | 6,1048       | 1             |
| 111V637   | V.E.3V T R/H 2 1/2" ACT.NEUM SE FPM | 10,7559    | 0,04836                   | 11,5994      | 1             |





## ITEM 870 | THREADED FEMALE OUTLET - SINGLE ACTING PNEUMATIC ACTUATOR - FPM

| VITON  | r      | Actuador | PESO (g) | DN | Modelo | A   | B   | C  | D   | E   | PN   | TIPO ROSCA |
|--------|--------|----------|----------|----|--------|-----|-----|----|-----|-----|------|------------|
| 11V593 | 1"     | H050 SE  | 1936     | 25 | L      | 162 | 72  | 23 | 183 | 138 | PN16 | BSP        |
| 11V595 | 1 1/2" | H063 SE  | 3631     | 40 | L      | 210 | 103 | 33 | 233 | 156 | PN16 | BSP        |
| 11V596 | 2"     | H075 SE  | 5988     | 50 | L      | 261 | 120 | 29 | 267 | 210 | PN16 | BSP        |
| 11V597 | 2 1/2" | H100 SE  | 11933    | 65 | L      | 322 | 150 | 33 | 333 | 280 | PN10 | BSP        |
| 11V633 | 1"     | H050 SE  | 1932     | 25 | T      | 162 | 72  | 23 | 183 | 138 | PN16 | BSP        |
| 11V635 | 1 1/2" | H063 SE  | 3621     | 40 | T      | 210 | 103 | 33 | 233 | 156 | PN16 | BSP        |
| 11V636 | 2"     | H075 SE  | 5970     | 50 | T      | 261 | 120 | 29 | 267 | 210 | PN16 | BSP        |
| 11V637 | 2 1/2" | H100 SE  | 11893    | 65 | T      | 322 | 150 | 33 | 333 | 280 | PN10 | BSP        |



## Product Documents



## Product Certificates

## Company Certificates

