



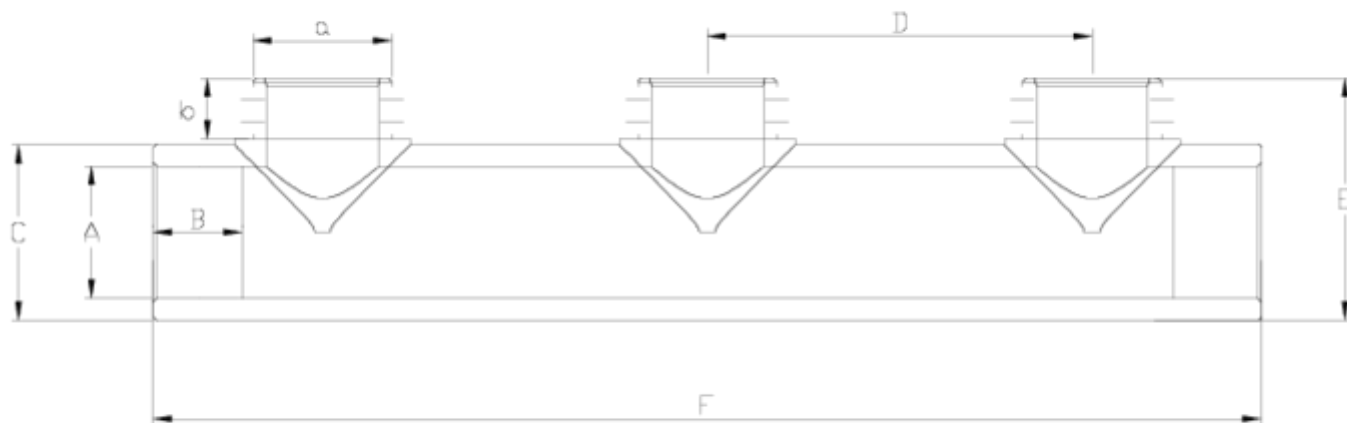
PVC-U pressure fittings

3-way distributor

ITEM 703

REFERENCE	DESCRIPTION	Net weight	Volumen (m ³)	Gross weight	Unidades lote
1001292	PVC PLAIN MANIFOLD 32	0,38303	0,01553	4,275	10
1001293	PVC PLAIN MANIFOLD 63	1,302525	0,04460	5,94	4
1001294	PVC PLAIN MANIFOLD 50	0,679975	0,02243	3,505	4
1001724	PVC MANIFOLD FEMALE-MALE 50	0,730525	0,02244	3,465	4
1001725	MANIFOLD FEMALE-MALE 63	1,197375	0,04460	5,595	4





ITEM 703 | 3-way distributor

Código	A-a	Peso (g)	b	B	C	D	E	F	PN	MEDIDA
01292	32	450	21	22	40	115	67	308	PN16	MÉTRICO
01294	50	645	21	34	61	131	86	393	PN16	MÉTRICO
01293	63	1090	26	38	75	165	102	460	PN16	MÉTRICO



Product Documents



Product Certificates



Company Certificates

