



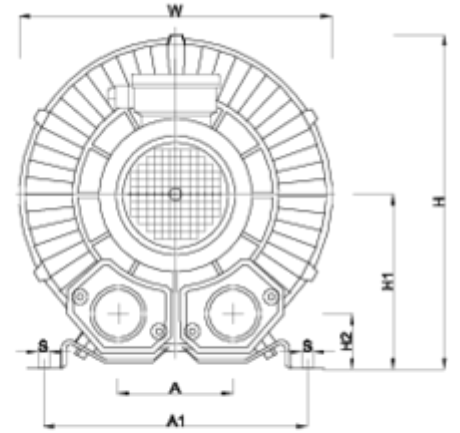
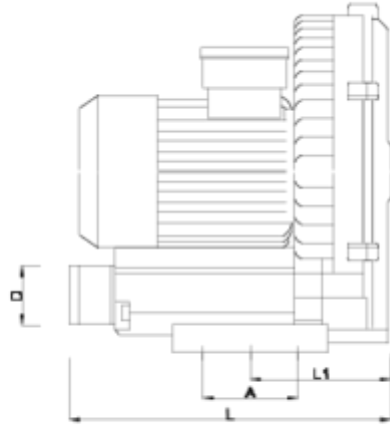
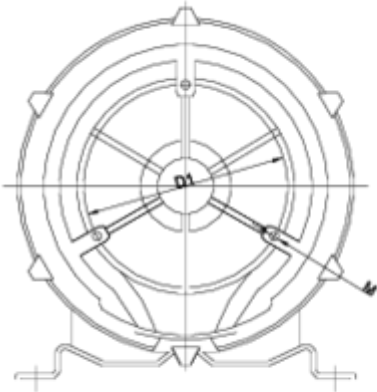
Micro-irrigation fittings

Air agitator continued use

ITEM 948

| REFERENCE | DESCRIPTION | Net weight | Volumen (m ³) | Gross weight | Unidades lote |
|-----------|----------------------------------|------------|---------------------------|--------------|---------------|
| 1007833 | AIR AGITATOR CONTINUED USE 1,5KW | 22,781 | 0,06640 | 23,89 | 1 |
| 1007834 | AIR AGITATOR CONTINUED USE 2,2KW | 30 | 0,08613 | 31,5 | 1 |







Product Documents



Product Certificates

Company Certificates

