

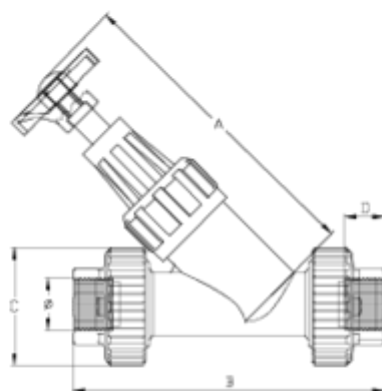


Angle seat valves and filters

Angle seat valve, female threaded outlet ITEM 445

REFERENCE	DESCRIPTION	Net weight	Volumen (m ³)	Gross weight	Unidades lote
1021021	ANGLE SEAT V. FEM. THREAD OUTLET 1/2"	0,26185	0,03648	4,035	10
1021022	ANGLE SEAT V. FEM. THREAD OUTLET 3/4"	0,40635	0,03648	5,475	10
1021023	ANGLE SEAT V. FEM. THREAD OUTLET 1"	0,655	0,03648	7,14	10





ITEM 445 | Angle seat valve, female threaded outlet

CÓDIGO	f	DN	Peso (g)	A	B	C	D	PN	TIPO ROSCA
21021	1/2"	15	257	146	140	52	16	PN16	BSP
21022	3/4"	20	388	173	164	59	17	PN16	BSP
21023	1"	25	573	195	183	69	21	PN16	BSP



Product Documents



Product Certificates

Company Certificates

