

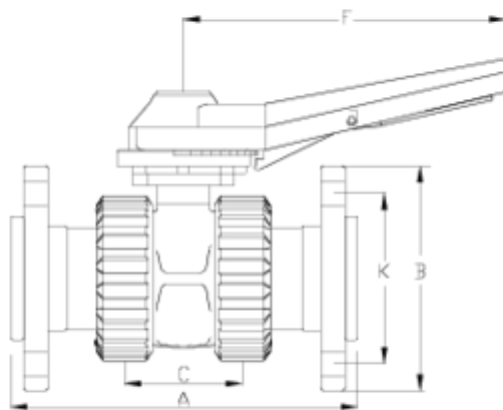


'Basic' ball valves

Flanges outlet - PTFE - Catch handle system ITEM 589



REFERENCE	DESCRIPTION	Net weight	Volumen (m ³)	Gross weight	Unidades lote
111B759	PTFE BALL V. CATCH HANDLE FLANGE OUTLET 63	2,058	0,03682	8,8533	4
111B760	PTFE BALL V. CATCH HANDLE FLANGE OUTLET 75	3,84	0,03682	15,9813	4
111B761	PTFE BALL V. CATCH HANDLE FLANGE OUTLET 90	5,76	0,03682	12,1413	2
111B762	PTFE BALL V. CATCH HANDLE FLANGE OUTLET 110	8,274	0,04460	17,2138	2
111B763	PTFE BALL V. CATCH HANDLE FLANGE OUTLET 125	10,265	0,04717	10,8855	1
111B764	PTFE BALL V. CATCH HANDLE FLANGE OUTLET 75-90	4,36	0,03682	9,3413	2
111B765	PTFE BALL V. CATCH HANDLE FLANGE OUTLET 90-110	6,689	0,03682	13,378	2
111B766	PTFE BALL V. CATCH HANDLE FLANGE OUTLET 110-125	8,76	0,04460	8,76	1
111B767	PTFE BALL V. CATCH HANDLE FLANGE OUTLET 110-140	9,8	0,04460	9,8	1
111B768	PTFE BALL V. CATCH HANDLE FLANGE OUTLET 125-140	11,14	0,04717	11,14	1
111B769	PTFE BALL V. CATCH HANDLE FLANGE OUTLET 63-75	2,542	0,03682	5,7053	2



ITEM 589 | Flanges outlet - PTFE - Catch handle system

CÓDIGO	f tubo	PESO (g)	DN	A	B	C	F	K	PN	MEDIDA
11B759	63	2058	50	263	165	90	235	125	PN16	MÉTRICO
11B760	75	3840	65	312	185	121	235	145	PN10	MÉTRICO
11B761	90	5760	80	369	200	141	235	146-160	PN10	MÉTRICO
11B762	110	8274	100	434	220	155	270	178-190	PN10	MÉTRICO
11B763	125	10265	113	470	230	161	330	190	PN10	MÉTRICO
11B769	75	2542	50	302	185	90	235	145	PN10	MÉTRICO
11B764	90	4360	65	360	200	121	235	146-160	PN10	MÉTRICO
11B765	110	6689	80	426	220	141	235	178-190	PN10	MÉTRICO
11B766	125	8760	100	458	230	155	270	190	PN10	MÉTRICO
11B767	140	9800	100	490	250	155	270	210-216	PN10	MÉTRICO



ITEM 589 | Flanges outlet - PTFE - Catch handle system

11B768

140

11140

113

502

250

161

330

210-216

PN10

MÉTRICO



Pol. Ind. Plá Vallonga,
c/ Agua, 28
03006 ALICANTE (España)



+34 965 11 42 82



+34 965 11 48 62



tecnicocomercial@hidroten.es



Technical &
Commercial Service
+ 34 966 105 888



www.hidroten.es



Product Documents



Product Certificates

Company Certificates

