



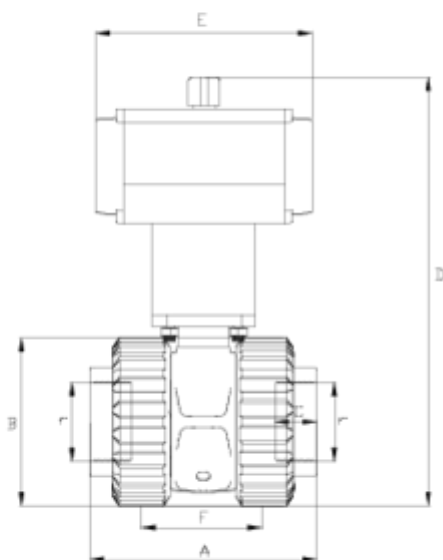
## 'basic' bi-directional ball valve

# Female threaded outlet - double acting spring return actuator - FPM ITEM 681



REFERENCE	DESCRIPTION	Net weight	Volumen (m <sup>3</sup> )	Gross weight	Unidades lote
111D660	FPM BALL V.DOUB.ACT.PNEUM.ACCT.F/THRE.OUT. 1/2"	0,866	0,01553	1,1927	1
111D661	FPM BALL V.DOUB.ACT.PNEUM.ACCT.F/THRE.OUT.3/4"	0,9255	0,00891	1,1129	1
111D662	FPM BALL V.DOUB.ACT.PNEUM.ACCT.F/THRE.OUT.1"	1,8504	0,03129	2,4234	1
111D663	FPM BALL V.DOUB.ACT.PNEUM.ACCT.F/THRE.OUT.1 1/4"	2,1096	0,03129	2,6826	1
111D664	FPM BALL V.DOUB.ACT.PNEUM.ACCT.F/THRE.OUT.1 1/2"	2,4855	0,03129	3,0585	1
111D665	FPM BALL V.DOUB.ACT.PNEUM.ACCT.F/THRE.OUT.2"	3,072	0,00891	3,2594	1
111D666	V.B. BID.ACT.NEU D/E R/H 2 1/2" FPM	6,154	0,04460	6,848	1
111D667	FPM BALL V.DOUB.ACT.PNEUM.ACCT.F/THRE.OUT.3"	7,26	0,04460	7,954	1





## ITEM 681 | Female threaded outlet - double acting spring return actuator - FPM

CÓDIGO	r	Actuador	PESO (g)	DN	A	B	C	D	E	F	PN	TIPO ROSCA
11D660	1/2"	H050DE	1280	15	86	55	17	192	138	44	PN16	BSP
11D661	3/4"	H050DE	1328	20	99	62	20	197	138	49	PN16	BSP
11D662	1"	H050DE	1476.8	25	122	72	23	209	138	66	PN16	BSP
11D663	1 1/4"	H050DE	1746.8	32	131	88	26	232	138	71	PN16	BSP
11D664	1 1/2"	H050DE	2062.4	40	155	103	33	249	138	75	PN16	BSP
11D665	2"	H050DE	2684	50	180	120	29	291	138	89	PN16	BSP
11D666	2 1/2"	H075DE	5610	65	202	150	33	375	210	119	PN10	BSP
11D667	3"	H075DE	7260	80	232	181	36	402	210	140	PN10	BSP



## Product Documents



## Product Certificates

## Company Certificates

