

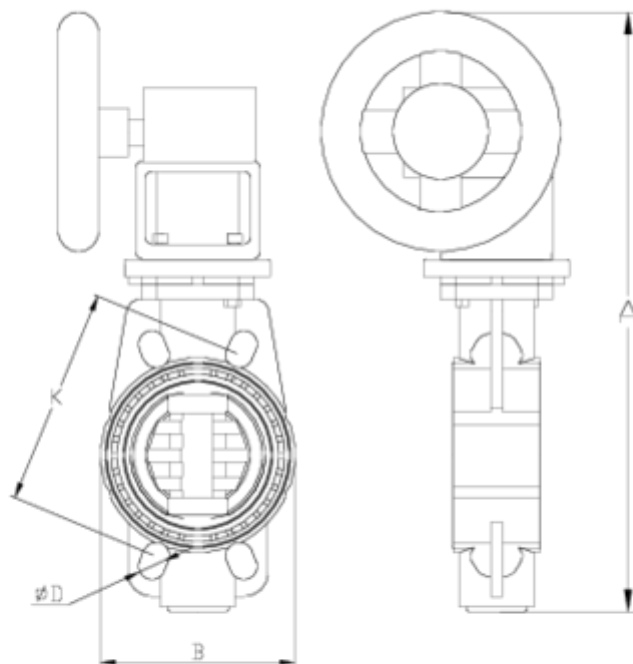


## PP-RCT butterfly valves

# Cream colour PP-RCT Implex butterfly manually operated ITEM 12P



| REFERENCE | DESCRIPTION                                  | Net weight | Volumen (m <sup>3</sup> ) | Gross weight | Unidades lote |
|-----------|--|------------|---------------------------|--------------|---------------|
| 109P100   | V. M. IMPLEX PP-RCT RED. MANUAL EPDM 63      | 2,509      | 0,02243                   | 2,9967       | 1             |
| 109P101   | V. M. IMPLEX PP-RCT RED. MANUAL EPDM 75      | 2,5386     | 0,02243                   | 3,0263       | 1             |
| 109P102   | V. M. IMPLEX PP-RCT RED. MANUAL EPDM 90      | 2,9488     | 0,01553                   | 3,2755       | 1             |
| 109P103   | V. M. IMPLEX PP-RCT RED. MANUAL EPDM 110     | 3,2068     | 0,02243                   | 3,6945       | 1             |
| 109P105   | V. M. IMPLEX PP-RCT RED. MANUAL EPDM 125/140 | 3,9415     | 0,02243                   | 4,4292       | 1             |
| 109P106   | V. M. IMPLEX PP-RCT RED. MANUAL EPDM 160     | 4,3656     | 0,03648                   | 4,9596       | 1             |
| 109P107   | V. M. IMPLEX PP-RCT RED. MANUAL EPDM 200     | 5,3849     | 0,06149                   | 6,3054       | 1             |



## ITEM 12P | Cream colour PP-RCT Iplex butterfly manually operated

| CÓDIGO | Ø       | DN  | PESO | A   | B   | D    | K       | PN |
|--------|---------|-----|------|-----|-----|------|---------|----|
| 9P100  | 63      | 65  | 3145 | 362 | 136 | 18x4 | 125-145 | 10 |
| 9P101  | 75      | 65  | 3145 | 362 | 136 | 18x4 | 125-145 | 10 |
| 9P102  | 90      | 80  | 3810 | 386 | 130 | 18x8 | 146-160 | 10 |
| 9P103  | 110     | 100 | 4070 | 406 | 152 | 18x8 | 178-190 | 10 |
| 9P105  | 125/140 | 125 | 4700 | 488 | 187 | 18x8 | 210-216 | 10 |
| 9P106  | 160     | 125 | 5530 | 510 | 214 | 22x8 | 235-241 | 10 |
| 9P107  | 200     | 200 | 7370 | 584 | 270 | 22x8 | 292-298 | 6  |



## Product Documents



## Product Certificates

## Company Certificates

