



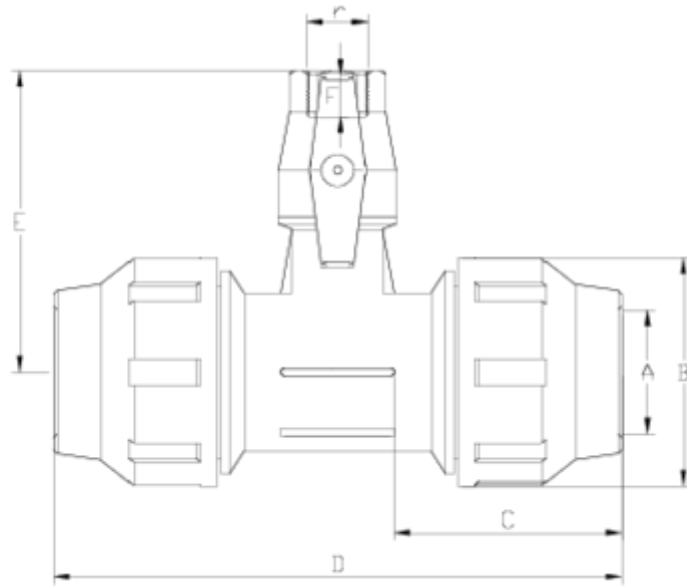
PP compression fittings

Fitting tee compact valve F/T outlet

ITEM 899

| REFERENCE | DESCRIPTION | Net weight | Volumen (m ³) | Gross weight | Unidades lote |
|-----------|---------------------------------------------|------------|---------------------------|--------------|---------------|
| 112E286 | TE S/FITTING COMP R/H 32-20-1/2"-32 GRIS | 0 | 0,02243 | 0 | 8 |
| 112E287 | TE S/FITTING COMP R/H 32-25-3/4"-32 GRIS | 0 | 0,02243 | 0 | 8 |
| 112E292 | TE S/FITTING COMPACT R/H 63-25-3/4"-63 GRIS | 1,216 | 0,06347 | 10,3931 | 8 |
| 112E293 | TE S/FITTING COMPACT R/H 63-32-1"-63 GRIS | 1,316 | 0,06347 | 11,179 | 8 |





ITEM 899 | Fitting tee compact valve F/T outlet

| Code | A - r - A | Weight (g) | B | C | D | E | F | PN | TIPO ROSCA |
|--------|--------------|------------|-----|-----|-----|-----|----|------|------------|
| 12E286 | 32 - 1/2"-32 | 320 | 64 | 70 | 170 | 114 | 17 | PN16 | BSP |
| 12E287 | 32 - 3/4"-32 | 345 | 64 | 70 | 170 | 121 | 20 | PN16 | BSP |
| 12E292 | 63 - 3/4"-63 | 1183 | 109 | 113 | 274 | 141 | 20 | PN16 | BSP |
| 12E293 | 63-1"-63 | 1266 | 109 | 113 | 274 | 149 | 23 | PN16 | BSP |



Product Documents



Product Certificates

Company Certificates

