

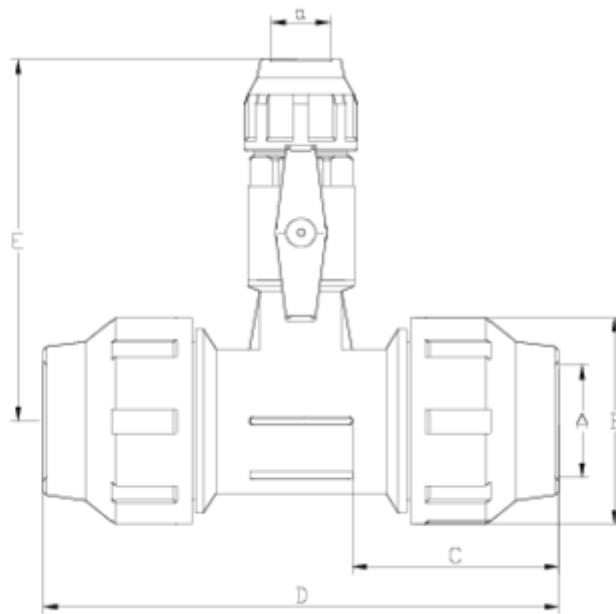


## PP compression fittings

# Fitting tee compact valve fitting outlet ITEM 900

REFERENCE	DESCRIPTION	Net weight	Volumen (m <sup>3</sup> )	Gross weight	Unidades lote
112E386	TE S/FITTING COMPACT FITTING 32-20-32 GRIS	0	0,02243	0	8
112E387	TE S/FITTING COMPACT FITTING 32-25-32 GRIS	0	0,02243	0	8
112E392	TE S/FITTING COMPACT FITTING 63-25-63 GRIS	1,291	0,06347	10,9931	8
112E393	TE S/FITTING COMPACT FITTING 63-32-63 GRIS	1,391	0,06347	11,7931	8





## ITEM 900 | Fitting tee compact valve fitting outlet

Code	A - a - A	Weight (g)	B	C	D	E	PN	MEDIDA
12E386	32-20-32	342	64	70	170	143	PN16	MÉTRICO
12E387	32-25-32	374	64	70	170	160	PN16	MÉTRICO
12E392	63-25-63	1250	109	113	274	184	PN16	MÉTRICO
12E393	63-32-63	1315	109	113	274	200	PN16	MÉTRICO



## Product Documents



## Product Certificates

## Company Certificates

