



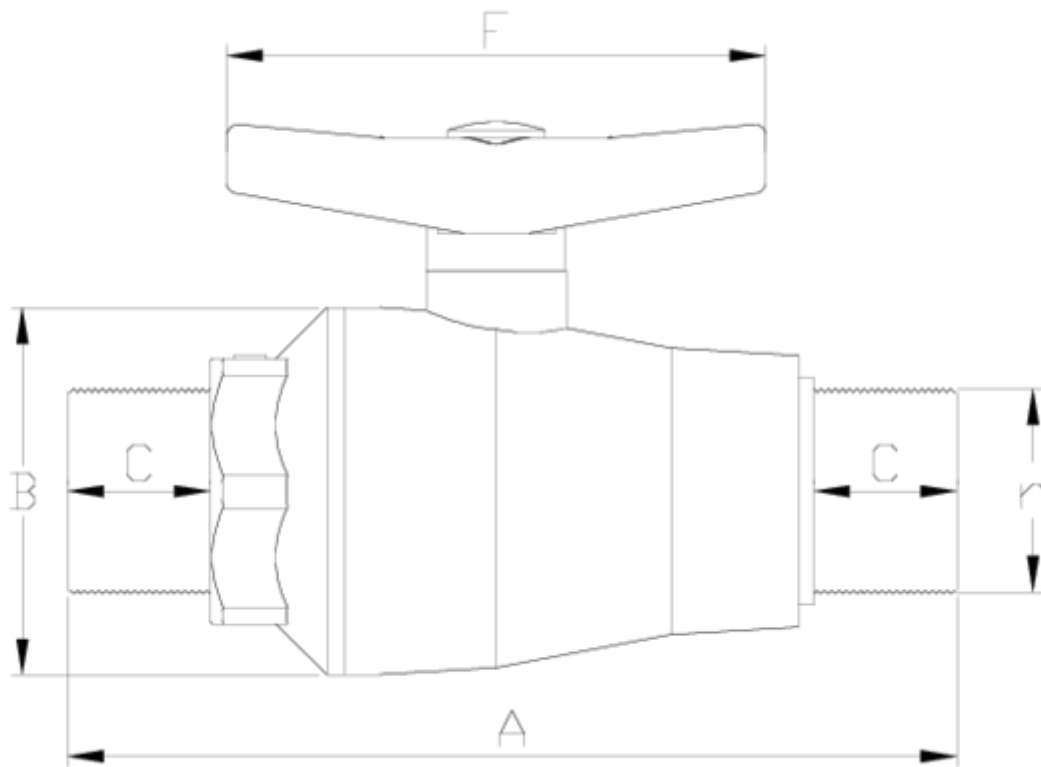
## 'Compact' ball valves

# Male threaded outlet

## ITEM 567

REFERENCE	DESCRIPTION	Net weight	Volumen (m <sup>3</sup> )	Gross weight	Unidades lote
111C010	GFPP COMP.B.VALV. M/THREADED OUTLET 1/2"	0,10963	0,00892	2,43	20
111C011	GFPP COMP.B.VALV. M/THREADED OUTLET 3/4"	0,14188	0,00892	3,075	20
111C012	GFPP COMP.B.VALV. M/THREADED OUTLET 1"	0,217387	0,01553	3,625	15





## ITEM 567 | Male threaded outlet

CÓDIGO	r	DN	PESO (g)	A	B	C	F	PN	TIPO ROSCA
11C010	1/2"	15	110	110	48	14	80	PN10	BSP
11C011	3/4"	20	142	123	53	17	80	PN10	BSP
11C012	1"	25	217	139	59	19	101	PN10	BSP



## Product Documents



## Product Certificates

## Company Certificates

