

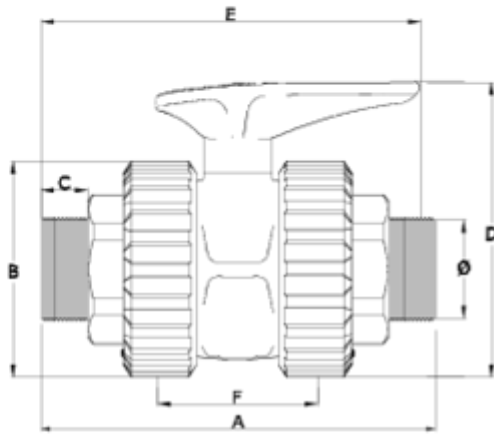


'Basic' ball valves

Male threaded outlet - PE - Basic System ITEM 210

REFERENCE	DESCRIPTION	Net weight	Volumen (m ³)	Gross weight	Unidades lote
1011101	BALL VALVE, MALE/MALE THREAD 1/2"	0,181	0,01553	7,5667	40
1011102	BALL VALVE, MALE/MALE THREAD 3/4"	0,2259	0,02244	9,525	40
1011103	BALL VALVE, MALE/MALE THREAD 1"	0,368	0,03682	12,356	30
1011104	BALL VALVE, MALE/MALE THREAD 1 1/4"	0,68185	0,03129	14,21	20
1011105	BALL VALVE, MALE/MALE THREAD 1 1/2"	0,975053	0,03682	15,175	15
1011106	BALL VALVE, MALE/MALE THREAD 2"	1,52682	0,04717	15,91	10
1011107	VALVULA ENLACE R/MACHO 2 1/2"	2,976	0,03129	12,48	4





ITEM 210 | Male threaded outlet - PE - Basic System

CÓDIGO	r	DN	PESO (g)	A	B	C	D	F	PN	TIPO ROSCA
11101	1/2"	15	176	118	52	14	78	47	PN16	BSP
11102	3/4"	20	225	130	59	16	84	51	PN16	BSP
11103	1"	25	368	160	70	19	97	66	PN16	BSP
11104	1 1/4"	32	681	176	84	21	128	72	PN16	BSP
11105	1 1/2"	40	975	197	99	22	142	77	PN16	BSP
11106	2"	50	1527	223	121	25	165	90	PN16	BSP
11107	2 1/2"	65	2976	284	151	31	222	121	PN10	BSP
11159	3"	80	4858	323	175	33	244	141	PN10	BSP



Product Documents



Product Certificates

Company Certificates

