



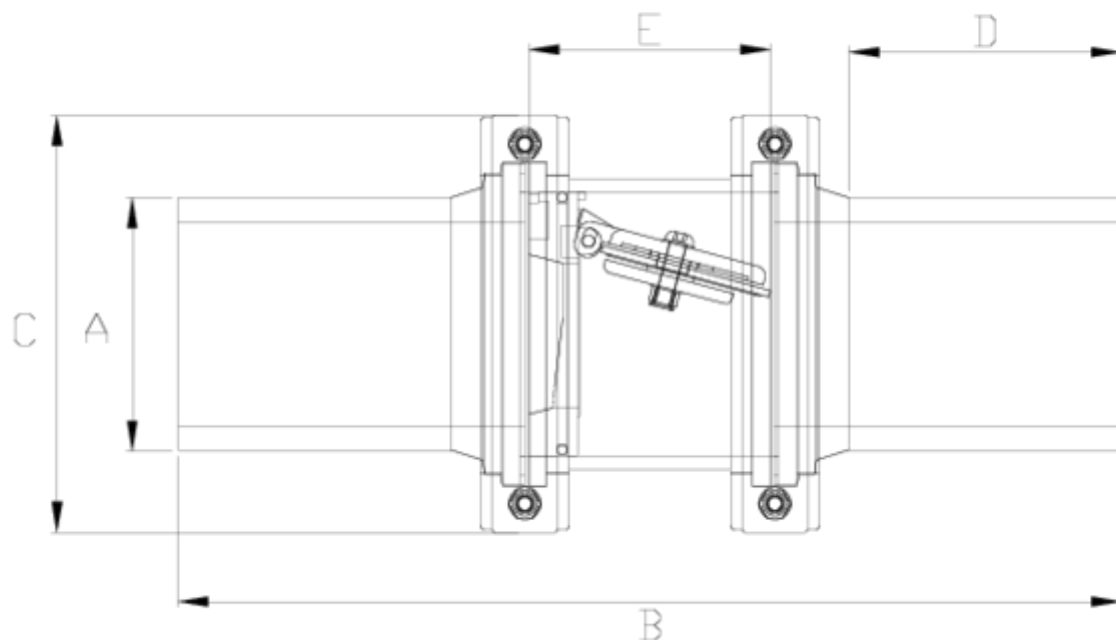
Netvitc System® lineal check valve

PE-PE outlet - GFPP body

ITEM 299

| REFERENCE | DESCRIPTION | Net weight | Volumen (m ³) | Gross weight | Unidades lote |
|-----------|--|------------|---------------------------|--------------|---------------|
| 1015052 | NETV. SYST. LINEAL CHECK V,THERMO OUT 50 | 0,8997 | 0,01553 | 2,126 | 2 |
| 1015053 | NETV. SYST. LINEAL CHECK V,THERMO OUT. 63 | 0,9264 | 0,01553 | 2,1795 | 2 |
| 1015055 | NETV. SYST. LINEAL CHECK V,THERMO OUT. 90 | 3,9851 | 0,03100 | 4,342 | 1 |
| 1015056 | NETV. SYST. LINEAL CHECK V,THERMO OUT. 110 | 3,19 | 0,02243 | 4,213 | 1 |
| 1015057 | NETV. SYST. LINEAL CHECK V,THERMO OUT. 125 | 5,712 | 0,03100 | 6,012 | 1 |
| 1015058 | NETV. SYST. LINEAL CHECK V,THERMO OUT. 140 | 6,454 | 0,02457 | 6,748 | 1 |
| 1015062 | NETV. SYST. LINEAL CHECK V,THERMO OUT. 160 | 6,823 | 0,04460 | 7,523 | 1 |
| 1015063 | NETV. SYST. LINEAL CHECK V,THERMO OUT. 200 | 8,845 | 0,04836 | 0 | 1 |
| 1015064 | NETV. SYST. LINEAL CHECK V,THERMO OUT. 225 | 9,905 | 0,06149 | 0 | 1 |





ITEM 299 | PE-PE outlet - GFPP body

| CÓDIGO | f | PESOS | BRIDA | DN CUERPO | B | C | D | E | PN | MEDIDA |
|--------|-----|-------|-------|-----------|-----|-----|-----|-----|------|---------|
| 15052 | 50 | 940 | 63 | 50 | 318 | 125 | 56 | 70 | PN10 | MÉTRICO |
| 15053 | 63 | 935 | 63 | 50 | 308 | 125 | 89 | 70 | PN10 | MÉTRICO |
| 15055 | 90 | 3185 | 125 | 110 | 402 | 203 | 100 | 122 | PN10 | MÉTRICO |
| 15056 | 110 | 3300 | 125 | 110 | 404 | 203 | 101 | 122 | PN10 | MÉTRICO |
| 15057 | 125 | 3775 | 125 | 110 | 466 | 203 | 135 | 122 | PN10 | MÉTRICO |
| 15058 | 140 | 6655 | 160 | 150 | 517 | 251 | 98 | 137 | PN10 | MÉTRICO |
| 15062 | 160 | 6625 | 160 | 150 | 483 | 251 | 122 | 137 | PN10 | MÉTRICO |
| 15063 | 200 | 11245 | 200 | 200 | 620 | 297 | 132 | 210 | PN10 | MÉTRICO |
| 15064 | 225 | 9765 | 200 | 200 | 622 | 297 | 143 | 210 | PN10 | MÉTRICO |



Product Documents



Product Certificates

Company Certificates

