



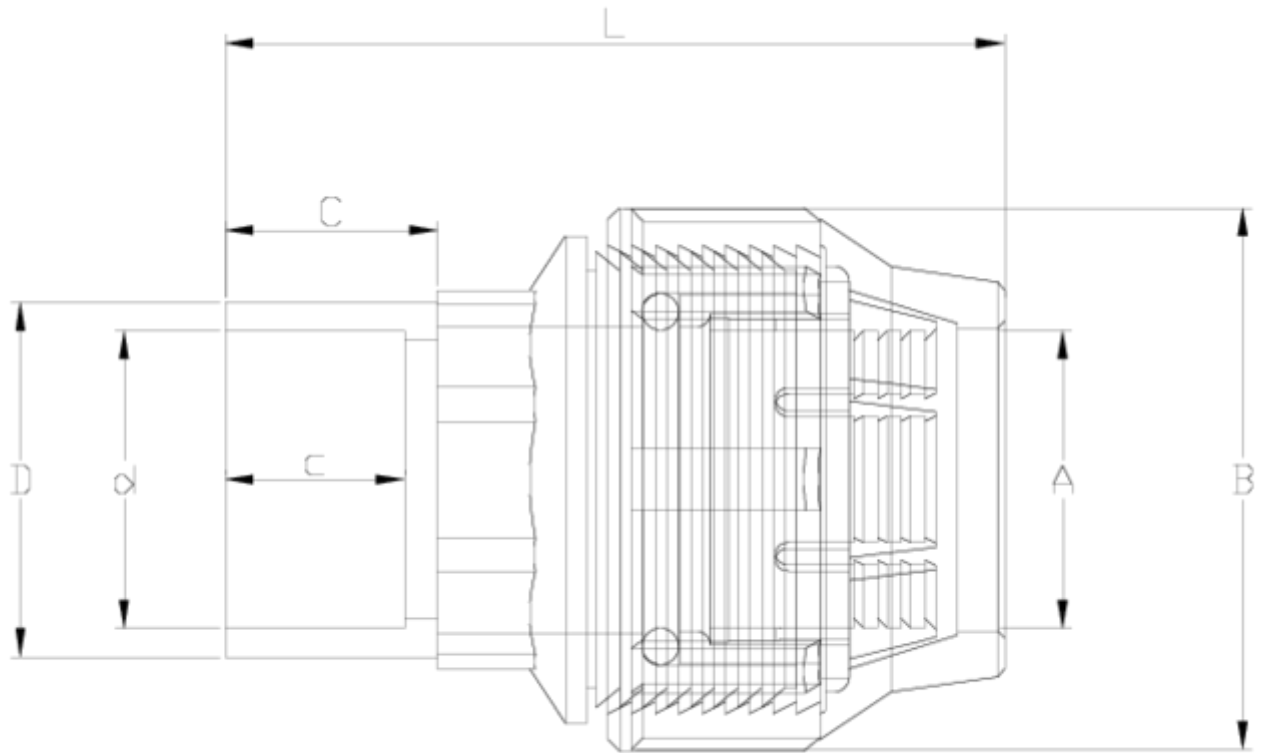
PP fittings for polyethylene

PE-PVC TRANSITION UNION

ITEM 529

REFERENCE	DESCRIPTION	Net weight	Volumen (m ³)	Gross weight	Unidades lote
1012322	PE-PVC TRANSITION COUPLING 32	0,132132	0,01553	3,63	25
1012324	PE-PVC TRANSITION COUPLING 50	0,381733	0,03129	7,4442	18
1012325	PE-PVC TRANSITION COUPLING 63	0,675517	0,03129	8,6792	12





ITEM 529 | PE-PVC TRANSITION UNION

Código	A-d-D	Peso (g)	B	c	C	L	PN	MEDIDA
12322	32-32-40	131	64	22	26	102	PN16	MÉTRICO
12324	50-50-63	375	91	31	38	135	PN16	MÉTRICO
12325	63-63-75	650	109	38	45	165	PN10	MÉTRICO



Product Documents



Product Certificates



Company Certificates

