



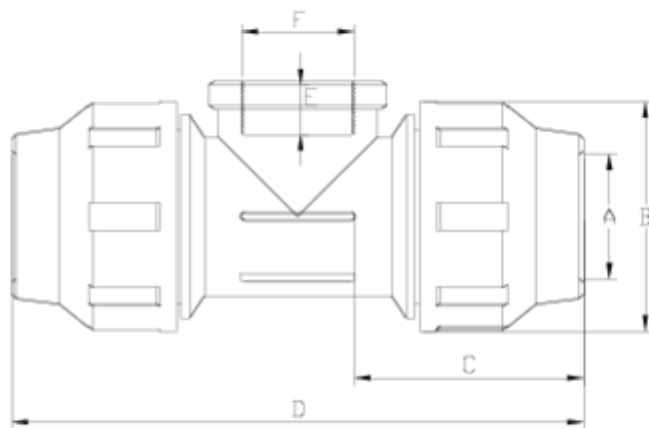
## PP fittings for polyethylene

# Reinforced tee, female threaded

### ITEM 111



REFERENCE	DESCRIPTION	Net weight	Volumen (m <sup>3</sup> )	Gross weight	Unidades lote
1012118	TEE,FEMALE THREAD REINF. 20-1/2"	0,103189	0,04117	9,93	90
1012119	TEE,FEMALE THREAD REINF. 25-3/4"	0,157817	0,04717	11,689	70
1012120	TEE,FEMALE THREAD REINF. 32-1"	0,224858	0,04836	11,908	50
1012121	TEE,FEMALE THREAD REINF. 40-1 1/4"	0,416168	0,04880	14,725	34
1012122	TEE,FEMALE THREAD REINF. 50-1 1/2"	0,627005	0,04460	13,27	20
1012123	TEE,FEMALE THREAD REINF. 63-2"	1,137075	0,04836	14,31	12
1012124	TEE,FEMALE THREAD REINF. 75-2 1/2"	1,782167	0,06150	16,96	9
1012125	TEE,FEMALE THREAD REINF. 90-3"	3,042475	0,04836	12,835	4
1012126	TEE,FEMALE THREAD REINF. 110-4"	4,1755	0,04460	9,315	2
1012127	TEE,FEMALE THREAD REINF. 50-2"	0,6404	0,04460	10,94	16
1012179	TEE,FEMALE THREAD REINF. 20-3/4"	0,104	0,03129	9,92	90
1012180	TEE, FEMALE THREAD.REINF. 25-1/2"	0,16021	0,04717	11,9	70
1012181	TEE, FEMALE THREAD.REINF. 32-1/2"	0,228662	0,04460	12,26	50
1012182	TEE, FEMALE THREAD.REINF. 32-3/4"	0,227502	0,04460	12,105	50



## ITEM 111 | Reinforced tee, female threaded

Código	f tubo - F	Peso (g)	A	B	C	D	E	PN	TIPO ROSCA
12118	20 - 1/2"	107	21	46	58	137	17	PN16	BSP
12179	20 - 3/4"	106	21	46	58	137	19	PN16	BSP
12180	25 - 1/2"	165	26	55	66	156	17	PN16	BSP
12119	25 - 3/4"	160	26	55	66	156	20	PN16	BSP
12181	32 - 1/2"	236	33	64	71	170	17	PN16	BSP
12182	32 - 3/4"	231	33	64	71	170	21	PN16	BSP
12120	32 - 1"	228	33	64	71	170	23	PN16	BSP
12121	40 - 1 1/4"	372	42	76	84	208	25	PN16	BSP
12122	50 - 1 1/2"	590	51	91	93	235	25	PN16	BSP
12127	50 - 2"	626	51	91	93	235	29	PN16	BSP



## ITEM 111 | Reinforced tee, female threaded

12123	63 - 2"	966	64	109	113	274	29	<b>PN16</b>	BSP
12124	75 - 2 1/2"	1721	77	133	132	344	33	<b>PN10</b>	BSP
12125	90 - 3"	2790	92	159	162	416	41	<b>PN10</b>	BSP
12126	110 - 4"	4070	112	183	167	465	45	<b>PN10</b>	BSP



## Product Documents



## Product Certificates



## Company Certificates

