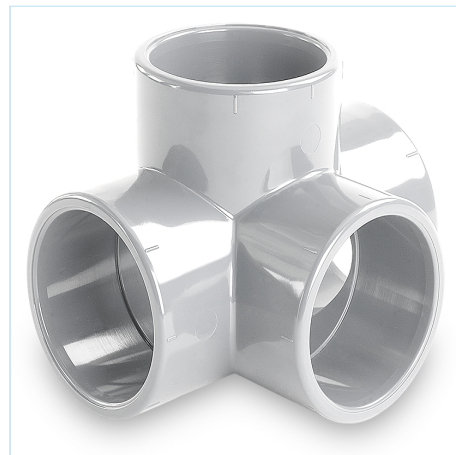


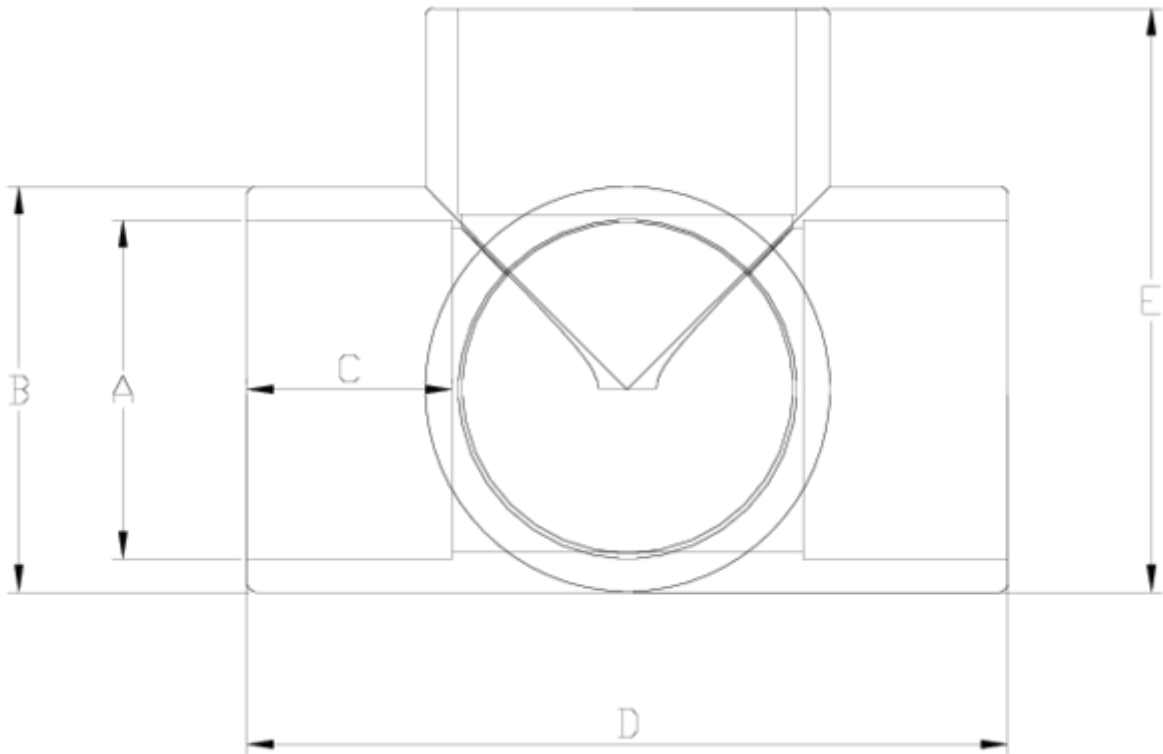


## PVC-U pressure fittings

# 90° TEE SOLVENT SOCKET 4V - WHITE RANGE ITEM 842



REFERENCE	DESCRIPTION	Net weight	Volumen (m <sup>3</sup> )	Gross weight	Unidades lote
1001358	PVC 90° 4V TEE 50 WHITE	0,223773	0,04717	7,355	30
1001359	PVC 90° 4V TEE 63 WHITE	0,385655	0,06347	8,5	20



## ITEM 842 | 90° TEE SOLVENT SOCKET 4V - WHITE RANGE

Código	A	Peso (g)	B	C	D	E	PN	MEDIDA
01358	50	212	61	31	114	88	PN16	MÉTRICO
01359	63	336	76	38	141	109	PN16	MÉTRICO



## Product Documents



## Product Certificates



## Company Certificates

